

060-0450  
EZ Access Baggage  
Door Lock



**DESIGNED FOR:**

- Recreational vehicle baggage doors and engine compartments

**FEATURES/BENEFITS:**

- Offers lower operating efforts and a more forgiving assembly
- Ample finger clearance
- Paddle can be locked before the door is shut (slam action)
- Same styling as the proven TriMark 060-0400 Flush Mount Baggage Lock (retrofitable)
- Improved plunger design
- Increased mechanical advantage to allow for lower operating efforts

**Global Locations:**

**TriMark Corporation**  
500 Bailey Avenue  
P.O. Box 350  
New Hampton, Iowa 50659  
United States  
Tel: 641-394-3188  
Fax: 641-394-2392  
1-800-447-0343  
www.trimarkcorp.com

**TriMark Europe**  
Cedar Court  
Walker road  
Bardon Hill  
Coalville LE67 1TU  
United Kingdom  
Tel: +44(0)1530 512460  
Fax: +44(0)1530 512461  
www.trimarkeu.com

**TriMark (Xuzhou)**  
Building A5 Jingwu Road  
Xuzhou Economic  
Development Zone  
Xuzhou, Jiangsu  
221004 PR China  
Tel: +86 516 8773 0018  
Fax: +86 516 8773 0058  
www.trimarkcn.com



TriMark. Interactive. Product. Selector



TriMark



TriMark Corporation

### USE WITH:

- Please refer to our website for related products that are compatible for use with this product

### FINISH:

- Paddle and housing: low gloss black powder coat
- Steel components: zinc coat with yellow chromate

### MATERIAL:

- Housing and paddle: zinc
- Pivot plate, axles, pivot arm: steel
- Plunger bolt: plastic

### AVAILABLE:

- Locking or non-locking
- Keyed alike
- Wide variety of mounting bracket options available for various applications
- KeyOne™ Plus



### INSTALLATION:

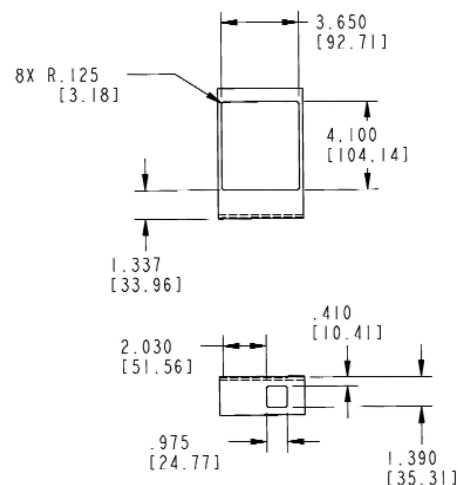
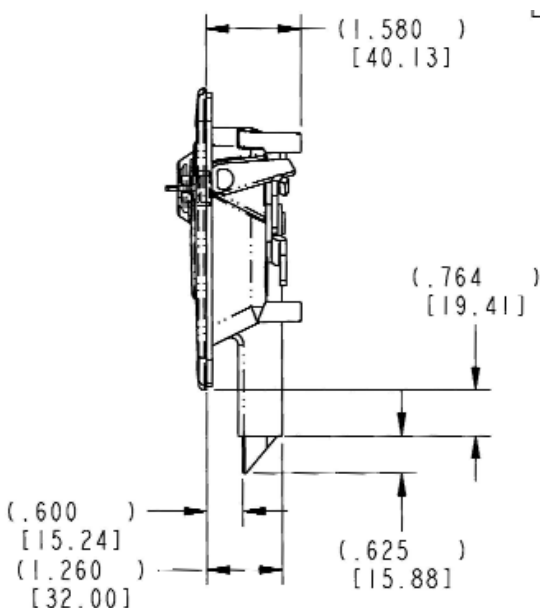
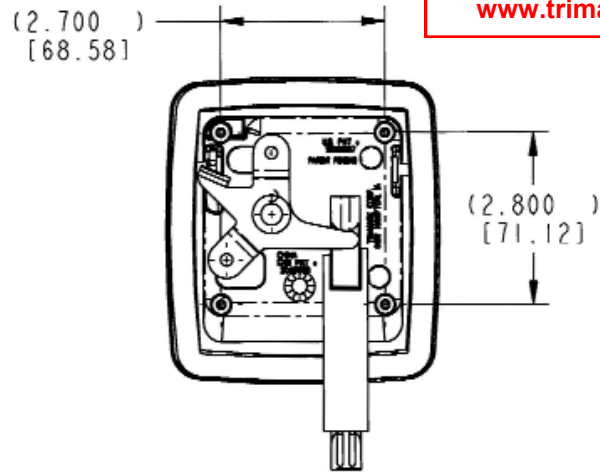
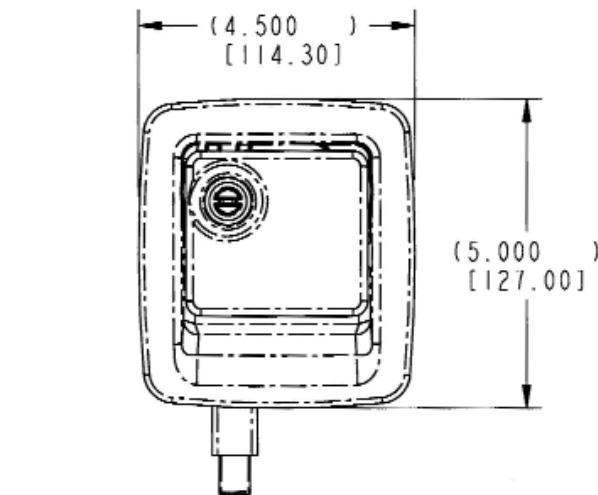
- Mounts with (4) #8-32 thread forming fasteners (not supplied)
- Supplied with gasket already applied under recess in housing flange for simple, clean installation

The KeyOne™ Plus system allows the operation of multiple onboard locking hardware with a single key. Features include a reversible key for ease of operation and a larger body diameter for enhanced security. Please call for more information.

Individual part dimensions are for reference only. Refer to individual part drawings for complete dimensions, specifications, and installation procedures. Engineering assistance and application drawings are available.

**U.S. Patent No. 6,547,290**  
**Design Patent No. D373,298**

For more information visit  
[www.trimarkcorp.com](http://www.trimarkcorp.com)



**Cutout and Door  
Edge Detail**